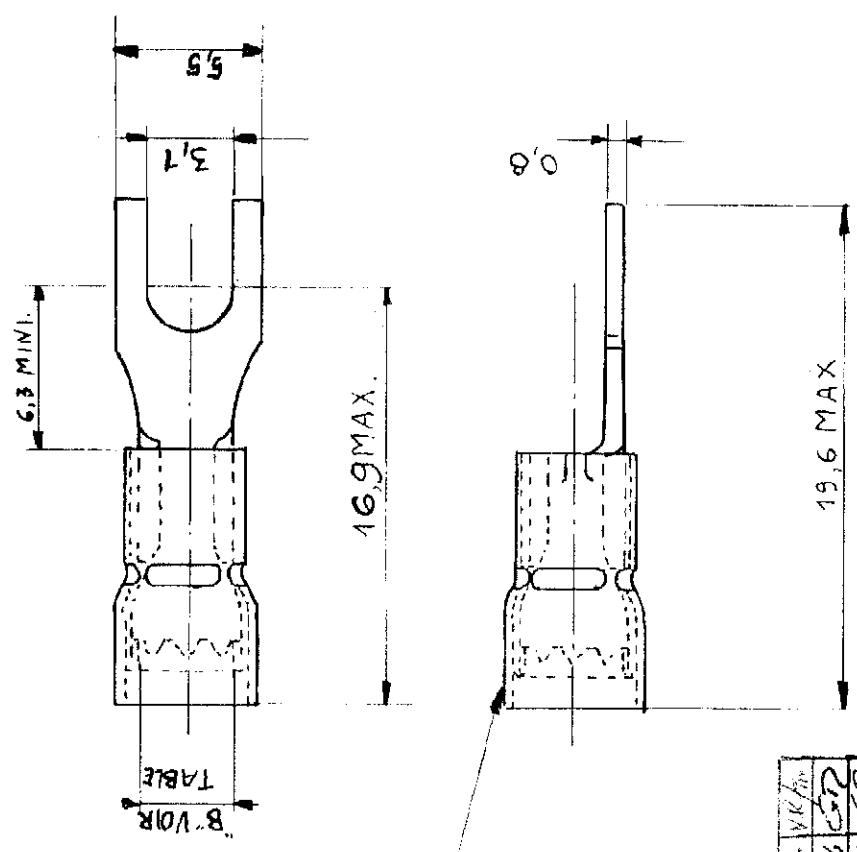


C 130 521

DIMENSIONS IN mm. DO NOT SCALE PRINT



ISOLANT ROUGE

REV	REVISIONS	DATE	BY
B1	REV. PER ECN 06-024806	10/16	VK/m
B	Revised	03/96	GP
A	Ajouté 130521-1	10/84	GP
A	16,9 débit 103 717	14.5.74	GP

130521-1	4
130521	3,3
N° ASSEMB.	"B"

<p>CUSTOMER PRINT FOR REFERENCE ONLY</p> <p>© 1959 BY AMP INCORPORATED. ALL RIGHTS RESERVED. AMP PRODUCTS COVERED BY PATENTS AND/OR PATENTS PENDING.</p>		<p>ITEM NO.</p>	
<p>REQUIRED PER ASSEMBLY</p> <p>-9 -8 -7 -6 -5 -4 -3 -2 -1</p>		<p>NAME</p> <p>RECUIT</p>	
<p>DESCRIPTION</p>		<p>FINISH</p> <p>E T A M E</p>	
<p>AMP</p> <p>AMP DEFERENCE</p> <p>TOL: ±0.2</p> <p>STEE: 4.1</p> <p>WIRE SIZE: 22.16</p>		<p>DR. MASSIEUX 17.10.53</p> <p>DATE REL</p>	
<p>TYPE: BS</p> <p>PIDG</p> <p>CMA</p> <p>MAX</p> <p>MIN</p>		<p>DATE FIRST USED</p>	
<p>PRINT DIST: F</p> <p>LOC: F</p> <p>SIZE: A</p> <p>NUMBER: C130521</p> <p>REV: B1</p>		<p>REMARKS</p> <p>N° ASSEMB. "B"</p>	
<p>4.1</p>		<p>OSSE A FOURCHE</p>	